

Laptop Carts and Powered IT Carts High-End - Medication Drawers and Locking



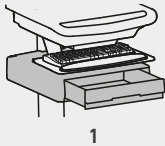
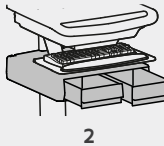
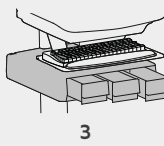
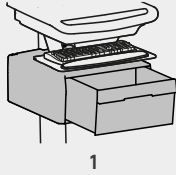
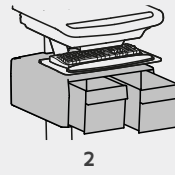
Both the Laptop Carts High-End and the Powered IT Carts High-End can be fitted with additional medication drawers. These drawers can be locked in various ways.

A substructure is also available for fitting out with grid walls, shelves and/or modules.

Add extra functionality to your mobile workstation with medication drawers.

» Medication drawers

There is a wide range of medication drawers available.

Height	Number of drawers		
64 mm	 1	 2	 3
150 mm	 1	 2	-
Size drawer D x W	267 mm x 315 mm	267 mm x 152 mm	267 mm x 96 mm

We always start with an upper primary base drawer which is fitted into the T-slot. For additional drawers, supplemental drawers are used, which fit into the primary base drawer.

» Locking

The medication drawers are fitted with a key lock as standard.

Other lock solutions are also possible:

- Electronic number lock
- dormakaba solution
- Salto solution



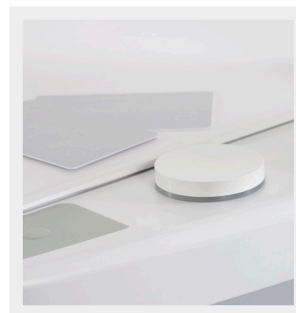
Key lock
(Standard)



Electronic
number lock



Badge reader
dormakaba



Badge reader
Salto

» Drawers and Locking



» Medication drawer with key lock*

Article Number	Description
18018 00022	Primary drawer - key lock - 1 drawer - 64 mm
18018 00025	Primary drawer - key lock - 1 drawer - 150 mm
18018 00036	Primary drawer - key lock - 3 drawers - 64 mm
18018 00023	Supplemental drawer - key lock - 1 drawer - 150 mm



» Medication Drawers with electronic lock control*

Article Number	Description
18018 00049	Primary drawer - electronic number lock - 1 drawer - 64 mm
18018 00047	Primary drawer - electronic number lock - 1 drawer - 150 mm
18018 00039	Primary drawer - electronic number lock - 3 drawers - 64 mm
18018 00055	Supplemental drawer - electronic number lock - 1 drawer - 64 mm
On request	Conversion in badge reader Salto
On request	Conversion in badge reader dormakaba

* Other configurations possible on request.

Standard article (non-standard articles have a longer delivery time)

» Accessories



» Supplemental grid wall module

Article Number	Description
<u>18018 00048</u>	Supplemental grid wall module for filling with 300 x 400 mm baskets, modules or trays



» Type MDS - Straight grid wall

Article Number	Description
<u>14003 00006</u>	Type MDS - Straight grid wall



» Type SCM - VarioTilt wall

Article Number	Description
<u>2509 1870010</u>	Type SCM - VarioTilt wall



» Type SCM - Relief wheel for VarioTilt wall

Article Number	Description
<u>2509 1869970</u>	Type SCM - Relief wheel for VarioTilt wall

Standard article (non-standard articles have a longer delivery time)