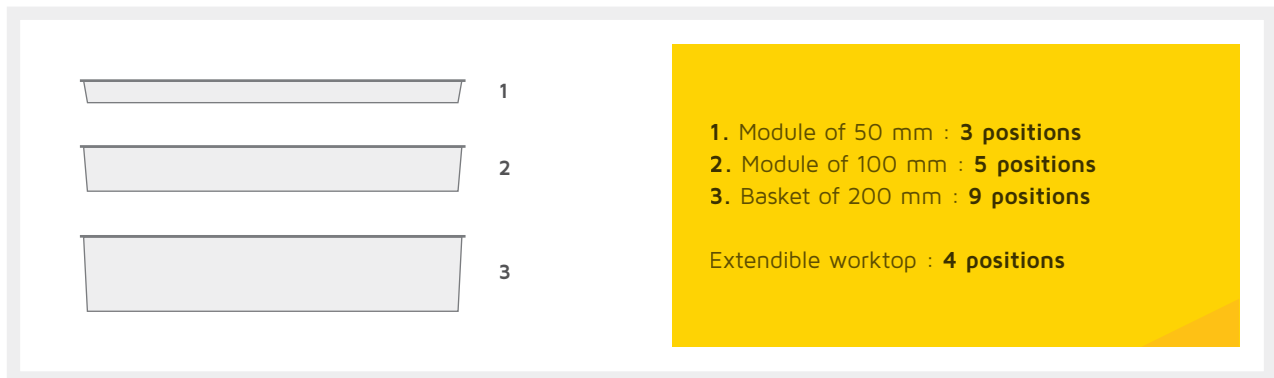


# Open modular ward trolleys - Configurations

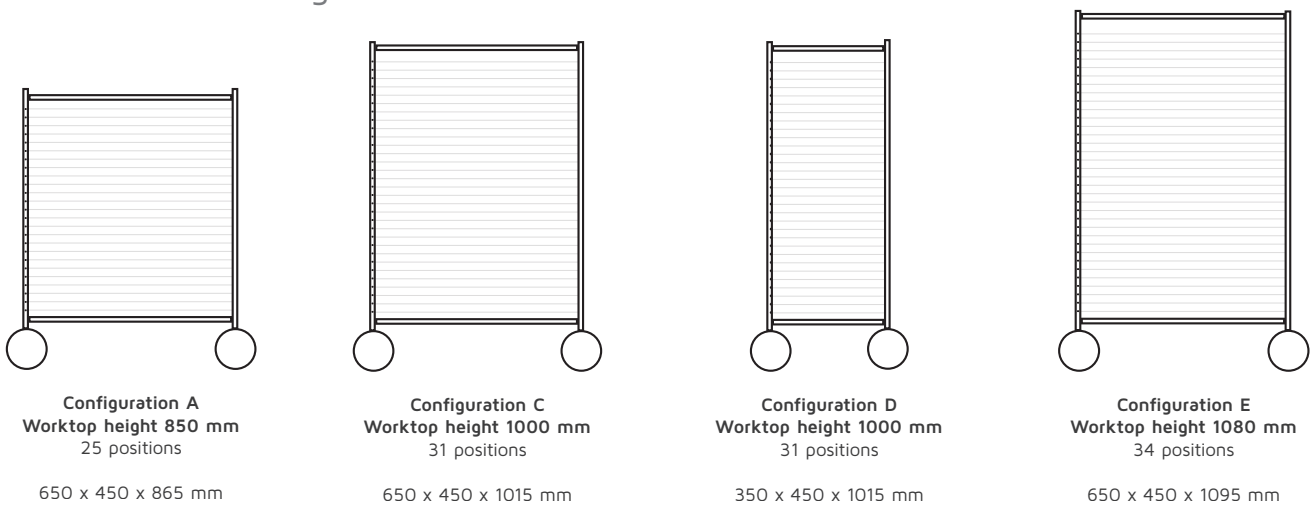
Every ward trolley comes with a number of slots to fix the runners. Between every slot there is a gap of 25.4 mm. The chart below shows you how you can subdivide the trolleys.

Slots that are not in use are covered. To guarantee ease of use, we have left the 2 upper sections open.

These standard configurations are equipped with polyamide guides and a HPL worktop. Baskets and accessories are not included.



## » Standard configurations



## » Configurations on demand

